

Image Intensifier, Generation 3 18mm F9815SLG (MX-11769) U.S. Customers Only

ITT Exelis (formerly ITT Night Vision), the world's leading producer of Generation (Gen 3) image intensification devices, offers the highest performance image intensifier tubes available.

ITT Exelis F9815SLG (MX-11769) image intensifier tubes are designed for use in the PVS-14 Monocular Night Vision Device.

ITT Exelis MX-11769 Gen 3 18-mm image intensifiers are completely self-contained with an integral high-voltage power supply. Equipped with automatic brightness control (ABC), this power supply provides constant output image brightness as light levels increase. It also provides bright-source protection to guard the tube against exposure to high levels of light.

Description

ITT Exelis F9810SLG (MX-11769) image intensifier tubes consist of a high-efficiency GaAs photocathode bonded to a glass input window, a microchannel plate (MCP) current amplifier, and a P-43 phosphor screen deposited on an inverting fiber-optic output window.

The Gen 3 photocathode is very sensitive to low-radiation levels of visible and, especially, near infrared light. It also provides very high signal-to-noise ratio (SNR) for extended detection ranges at very low light levels as well as variable gain to optimize performance in the PVS-14. The 6-micron channel spacing in the ITT Exelis MCP provides exceptional resolution. The MCP has a thin ion-barrier film that preserves photocathode sensitivity during operation, thereby greatly extending the life of Gen 3 tubes compared to Gen 2.

ITT Exelis continues to improve Gen 3 MX-11769 image intensifier tubes to increase operational range and situational awareness for the user. Equipped with an auto-gated power supply, the Pinnacle® tube provides a truly outstanding performance in high-light or light-polluted areas, such as urban environments. In addition, the Pinnacle® tube provides a much reduced halo.

ITT EXELIS

Authorized Commercial Intensifier Tube Distributor
Morovision Night Vision



Morovision Night Vision is an Authorized
ITT Exelis Commercial Intensifier Tube
Distributor

For further information, please contact:

Morovision Night Vision
23382 Mill Creek Drive, Suite D-115
Laguna Hills, CA 92653

1-800-424-8222 or (949) 581-9988
Fax: (949) 581-1133

Email: sales@morovision.com

MOROVISION NIGHT VISION, INC.
23382 Mill Creek Drive, Suite D-115
Laguna Hills, CA 92653

By Phone: Toll Free 1-800-424-8222 or 949-581-9988
By Fax: 949-581-1133
Email: info@morovision.com
Website: <http://www.morovision.com>

EXPORT NOTICE:

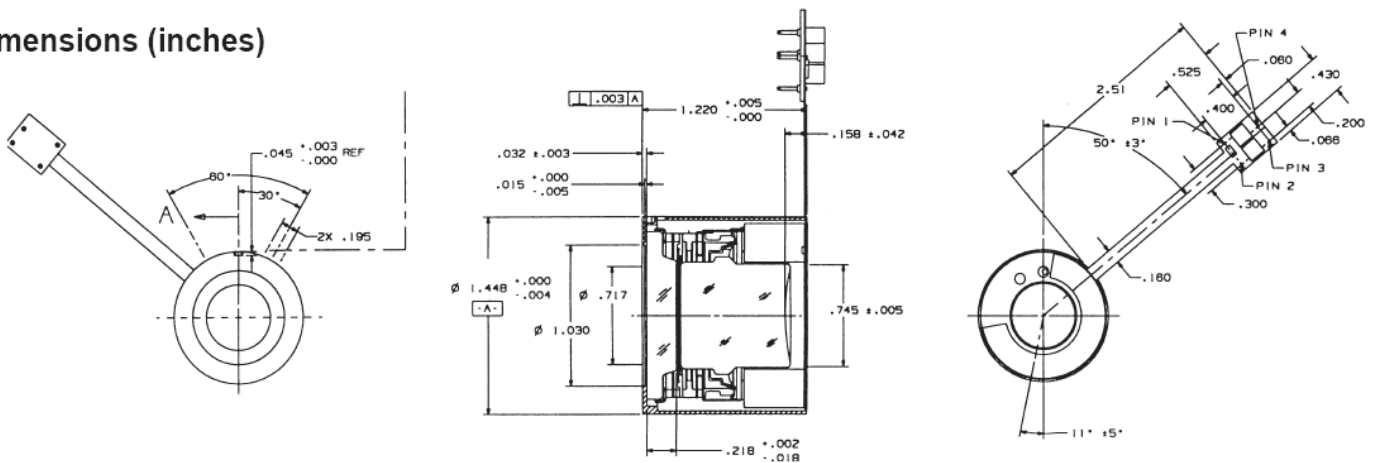
Export of this product is regulated by the U.S. Department of State in accordance with guidelines of "International Traffic in Arms Regulations (ITAR)" per Title 22, Code of Federal Regulations, Parts 120-130.

This data sheet is approved for unlimited release.
Specifications subject to change without notice.

Tube Performance Levels

Tube Model	F9815SLG Pinnacle®
Part #	ITTT-277016-1
Gate Type	Auto-Gated
Film Type	Thin-Filmed
Resolution, lp/mm	57 (Min), 64 (Typ)
Photocathode Sensitivity	1350 (Min)
Signal/Noise Ratio	16.2 (Min), 21 (Typ)
EBI photo max	2.3
2x10 ⁻⁶ fc (K), max.	Min: 40000 / Max: 80000
Maximum Spots Allowed in Each Zone	Zone
Spot Size (in.)	1 2 3
>.012 – .015	0 0 0
>.009 – .012	0 0 1
>.006 – .009	0 2 2
>.003 – .006	0 2 3

Dimensions (inches)



MOROVISION NIGHT VISION, INC.
 23382 Mill Creek Drive, Suite D-115
 Laguna Hills, CA 92653

By Phone: Toll Free 1-800-424-8222 or 949-581-9988
 By Fax: 949-581-1133
 Email: info@morovision.com
 Website: <http://www.morovision.com>

EXPORT NOTICE:

Export of this product is regulated by the U.S. Department of State in accordance with guidelines of "International Traffic in Arms Regulations (ITAR)" per Title 22, Code of Federal Regulations, Parts 120-130.

This data sheet is approved for unlimited release. Specifications subject to change without notice.