

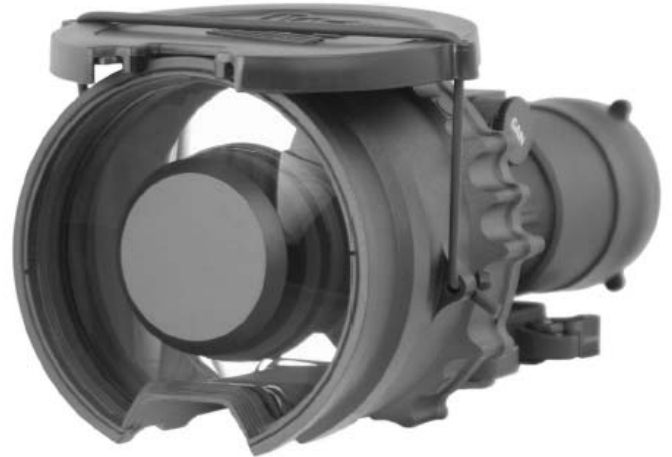
MORO VISION NIGHT VISION

LIGHT THE NIGHT™

AN/PVS-27 Magnum Universal Night Sight™ (MUNS™) Generation 3 PINNACLE®

The AN/PVS-27 PINNACLE® Magnum Universal Night Sight™ (MUNS™) is a high-resolution clip-on night vision weapon sight that mounts on any MIL-STD-1913 rail interface forward of an existing scope, adding night vision capabilities to daytime target acquisition platforms. The Magnum Universal Night Sight™ (MUNS™) utilizes a full MIL-SPEC Gen 3 (autogated pinnacle) OMNI-7 image intensifier tube, an extremely fast f/1.0 catadioptric lens for a brighter and sharper image in starlight, and patented permanent boresight alignment technology. The MUNS™ gathers twice as much light as the AN/PVS-22 Universal Night Sight™ (UNS™) and can be used against targets at 1.5 times the range of the AN/PVS-22. The unit is installed, operated, and removed without tools and without affecting boresight (permanent boresight alignment). The unit can be mounted on a spotting scope for long range reconnaissance, hand-held as a Night Observation Device (NOD), or used in other night-time operations requiring night vision capabilities. Optimized for medium- & long-range sniper weapons including the M110, SR-25/MK11, XM107, .338 Lapua, .308 M24, Chandler & .300 Win Mag. Effective on all weapons from carbines to .50 caliber semi-automatic and bolt action sniper rifles. The MUNS™ includes OSTI's proprietary Shock Mitigation System™ (SMS™), allowing the unit to be used on weapons up to and including .50 caliber bolt-action rifles.

The MUNS™ is manufactured with the highest quality Gen 3 PINNACLE®, American made Image Intensifiers and is only available for U.S. Government Sales.



Standard Accessories Included:

- LaRue Adjustable Double Locking Lever Mount that interfaces to a MIL-STD-1913 rail.
- Flip Up Lens Caps
- Batteries - Two (2) AA batteries.
- Operators Manual- Instructional users guide
- Lens Cleaning Kit
- Soft Carry Case

CALL US TODAY AT: Toll Free 1-800-424-8222 or 949-488-3855
Or visit us online at: www.morovision.com

MOROVISION NIGHT VISION

LIGHT THE NIGHT™



AN/PVS-27 MUNS™ shown on
McMillan Brothers .50 Caliber
Bolt-Action Sniper Rifle

AN/PVS-27 Specifications

Generation	3 U.S. (ITT PINNACLE®)
Resolution	64 lp/mm (typical)
Film	Thin-Film
Gate	Auto-Gated
Magnification	1x
Field of View	10°
Range of Focus	15 meters to infinity
Boresight Accuracy	½ MOA or Better
Boresight Repeatability	within ½ MOA or Better
Boresight Adjustment	None required
Boresight Retention	Permanent
Dayscope Magnification	3x to 12x Power
Power Supply	2 AA batteries
Shock Mitigation System™	SMS™
Operation Time	40 hrs at 70° room temp
Operating Temperature	-30° to +60° C
Weight	50 ozs. or 1.9 lbs
Length	8.7"
Height	3.75" (max height above rail)
Controls:	ON/OFF/Gain & Objective Focus
Objective Lens Focal Length	92mm
Objective Lens f/number	f/1.0
Warranty	1 year

MOROVISION NIGHT VISION, INC.

P.O. Box 342
Dana Point, CA 92629-0342

By Phone: Toll Free 1-800-424-8222 or 949-488-3855
By Fax: 949-488-3361

Email: info@morovision.com
Website: www.morovision.com

EXPORT NOTICE:

Export of this product is regulated by the U.S. Department of State in accordance with guidelines of "International Traffic in Arms Regulations (ITAR)" per Title 22, Code of Federal Regulations, Parts 120-130

This data sheet is approved for unlimited release.

Specifications subject to change without notice